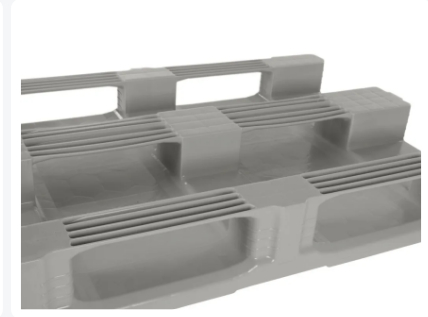
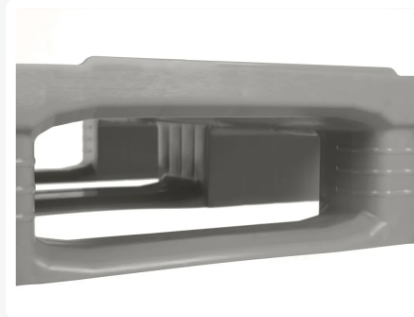


Article number: 87065201

Bedrukking mogelijk



Euro pallet - TC1 ECO - 1200 x 800 mm (with rims)



Product specifications

Uitwendig (LxBxH)	1200 x 800 x 160 mm
Dynamic load capacity	1500 kg kg
Material	Recycled ECO-HDPE
Article number	87065201
Weight (kg)	18 kg
Temperature range	-30°C to +40°C, briefly up to +90°C
Color	Black
Static load capacity	7500 kg kg
Edge height	7 mm mm
Load capacity in racks	1000 kg

Properties

Connections of the pallet chocks to the runners and the pallet surface are extra reinforced. Breakage at these sensitive points is thus reduced to a minimum

Top and bottom pallet surface are completely smooth and unperforated without external rib structures

Intelligent design of the pallet chock ensures better grip of wrapping and stretch film

Raised rims around the TC1 prevent the load sliding off and mutual sliding of empty pallets

TC1 runners are chamfered on both edges

The TC pallet's patented weld geometry guarantees a high load capacity and long lifetime

Very high load capacity that is upgradable to 1750 kg in pallet racks using reinforcing sections: on request

Description

The Europallet type TC1 ECO, with dimensions of 1200 x 800 x H 160 mm, is manufactured from high-quality ECO-regranulate. Designed with a focus on sustainability and versatility, it has become an essential component within various logistical applications. Equipped with three lengthwise pallet runners, ensuring optimal stability and support during loading and transportation of goods. The pallet's underside features closed blocks and runners with reinforcing ribs, providing additional strength and structural integrity. A prominent feature of the TC1 pallet is the 7 mm raised edges all around, ensuring safe and reliable cargo placement during transportation. Additionally, this pallet can be supplied with an extra-high edge upon request, offering additional protection for specific freight requirements.

Both the upper and lower surfaces of the TC1 pallet deck are entirely smooth and closed, providing a perfectly flat and uniform base for loading and unloading goods. The absence of external rib structures contributes to easy and efficient handling of various types of cargo.

The Europallet type TC1 ECO is not only a robust and versatile pallet for logistical applications but also a hygienic pallet widely used in the food and pharmaceutical industries. Thanks to the smooth and closed structure of both the upper and lower surfaces of the pallet deck, the TC1 complies with strict hygiene standards crucial for these critical sectors. This feature makes the TC1 pallet highly suitable for applications where hygiene and clean environments are of utmost importance, such as in food and pharmaceutical production settings.

With an impressive static load capacity of 7500 kg, this pallet is robust and capable of supporting heavy loads without compromising performance. Dynamically, it can carry up to 1500 kg, while a capacity of 1000 kg is ensured in pallet racking, making it a reliable choice for varied storage needs.

Regarding versatility, optional reinforcement profiles can be added to the deck, increasing the load capacity in pallet racking to 1750 kg. This adaptability enhances functionality and allows meeting specific requirements and environments.

In summary, the Europallet type TC1 ECO embodies sustainability, reliability, and adaptability, making it an essential part of modern logistical operations and storage systems

Alternatieve artikelen

